



UNI 100 VERY LONG RANGE INFRARED ILLUMINATOR



IDEAL FOR WIDE ANGLE AND LONG RANGE ANALOG AND IP CCTV

- 500+ meter night vision at absolute darkness. Very high infrared radiation
- **IP 68**, Highest protection against dust and water
- **IK10** Highest impact resistance
- UV resistant cable and accessories
- Stainless metal accessories
- 850 nm and 940 nm wave length options
- 220V AC, 48V DC **PoE**, 12V DC versions
- Automatic day/night operation by photocell switch
- Power Led technology
- 95% saving compared to conventional lamps
- 10+ years projected lifetime
- Quality Certificates from independent organisations.
- OPTION: Radiation power adjustment (over the device, remote control and software)
- OPTION: MIL-STD-461F

TECHNICAL FEATURES

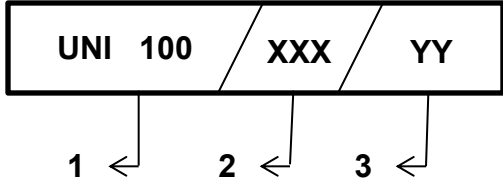
Index of protection	: IP 68 (highest protection)
Impact resistance	: IK10 (highest degree)
Operating temperature	: + 50° C, - 50° C
Power consumption	: 20 W
Operating Voltage	: 220V AC, PoE 48V DC
Cable	: 2x1 mm2 UV resistant, flame retardaant, 1,5 m
Body material	: Solid Aliminum
Surface	: Anodized
Color	: Black
Glass	: UV and impact resistant
Bolts, nuts, washers	: Stainless Steel
Dimensions	: 150 mm dia., 70 mm depth (bracket excluded)
Weight	: 1.9 kg
Projected lifetime	: 10 -15 years



- Photocell switch & led driver box, IP66, 19x15x8cm
- Pole mounting plate



CODING

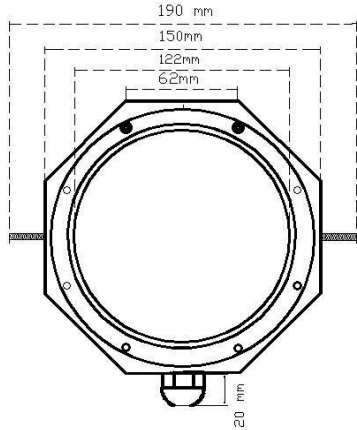


1. Model UNI 100
 2. Wave length 850 nm, 940 nm
 3. Radiation angle: 25°, 45°, 60°, 90°, 120°
- Example: UNI 100 / 850 / 25

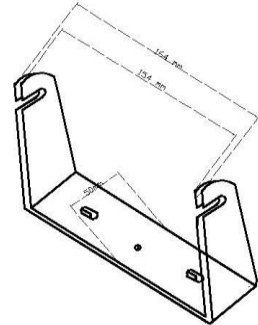
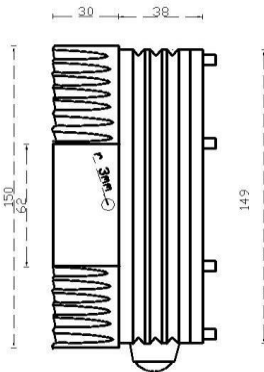
Night Vision Ranges

850 nm		940 nm	
25°	500 m+	25°	150 m
45°	250 m	45°	70 m
90°	150 m	90°	40 m
120°	60 m	120°	25 m

Above ranges have been obtained by 0.01 lux D/N box camera and zoom lens combination



DIMENSIONS



Compliance to EUROPEAN NORMS have been approved by independent organisations.

